



G SERIES SHEAR WRENCH



www.tonetool.co.jp



Manufactured by
TONE TONE CO., LTD.
OSAKA, JAPAN.



web site: <http://www.tonetool.co.jp/>
e-mail: overseas@tonetool.co.jp

Specifications and the design are subject to change without notice.
TONE is certified to ISO9001:2008 and ISO14001:2004.

Your Distributor

[FLKA002] 14.07.05.PP

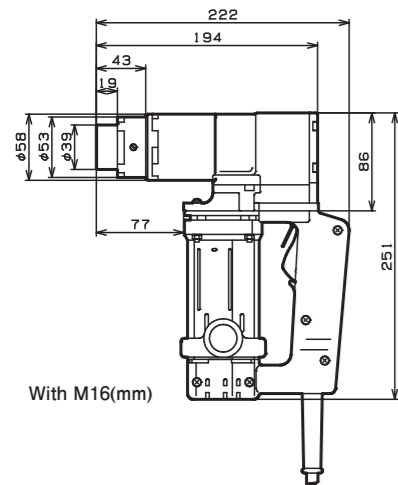
TONE TONE CO., LTD.

G SERIES SHEAR WRENCH

G SERIES SHEAR WRENCH

GM-161EZ / GM-162EZ

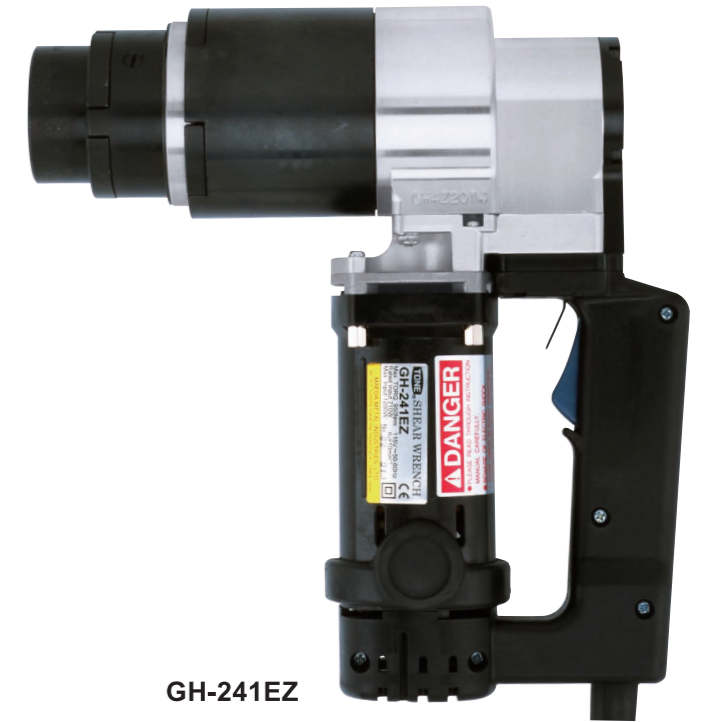
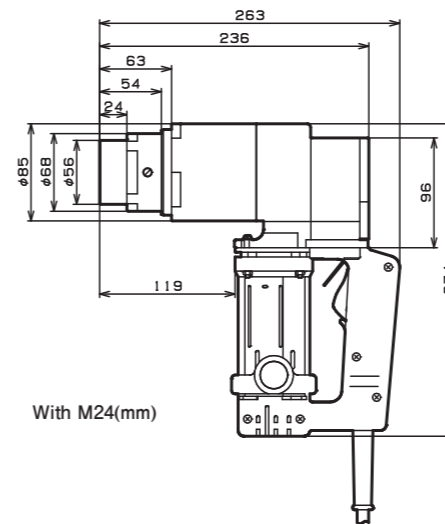
Model	GM-161EZ	GM-162EZ
Frequency	50-60Hz	
Rated Voltage(Single Phase)	115V	230V
Max. Current	10A	5A
Rated Input Power	1100W	
Intermittent Operation (rated operating time / rated resting time)	2s/3s	
Rated Max. Torque	294N.m (217lb.ft)	
No-Load Speed	29min ⁻¹ (rpm)	
Adaptable Bolts Dia.	S10T	M12, M16
	A325	5/8"
	A490	5/8"
Weight (Main Body)	3.7kg(8.1lbs)	
Protection Class	Ⓜ (class II tool)	



GM-162EZ

GH-241EZ / GH-242EZ

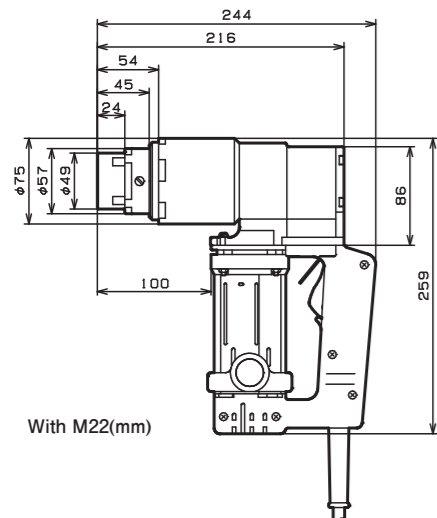
Model	GH-241EZ	GH-242EZ
Frequency	50-60Hz	
Rated Voltage(Single Phase)	115V	230V
Max. Current	11A	5.5A
Rated Input Power	1200W	
Intermittent Operation (rated operating time / rated resting time)	2s/3s	
Rated Max. Torque	950N.m (701lb.ft)	
No-Load Speed	10min ⁻¹ (rpm)	
Adaptable Bolts Dia.	S10T	M16, M20, M22, M24
	A325	3/4", 7/8", 1"
	A490	3/4", 7/8"
Weight (Main Body)	6.2kg(13.7lbs)	
Protection Class	Ⓜ (class II tool)	



GH-241EZ

GM-221EZ / GM-222EZ

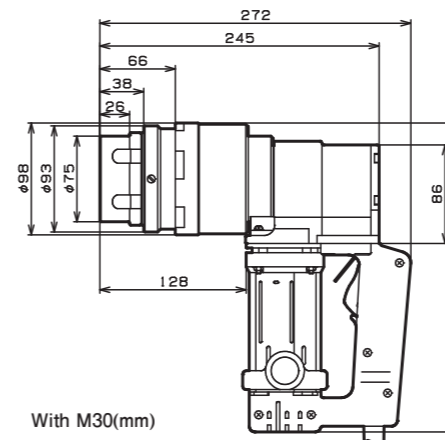
Model	GM-221EZ	GM-222EZ
Frequency	50-60Hz	
Rated Voltage(Single Phase)	115V	230V
Max. Current	11A	5.5A
Rated Input Power	1200W	
Intermittent Operation (rated operating time / rated resting time)	2s/3s	
Rated Max. Torque	735N.m (542lb.ft)	
No-Load Speed	14min ⁻¹ (rpm)	
Adaptable Bolts Dia.	S10T	M16, M20, M22
	A325	5/8", 3/4", 7/8"
	A490	5/8", 3/4"
Weight (Main Body)	4.8kg(10.6lbs)	
Protection Class	Ⓜ (class II tool)	



GM-222EZ

GV-301EZ / GV-302EZ

Model	GV-301EZ	GV-302EZ
Frequency	50-60Hz	
Rated Voltage(Single Phase)	115V	230V
Max. Current	11A	5.5A
Rated Input Power	1200W	
Intermittent Operation (rated operating time / rated resting time)	2s/3s	
Rated Max. Torque	1900N.m (1402lb.ft)	
No-Load Speed	5min ⁻¹ (rpm)	
Adaptable Bolts Dia.	S10T	M27, M30
	A325	1", 1-1/8"
	A490	1", 1-1/8"
Weight (Main Body)	6.7kg(14.8lbs)	
Protection Class	Ⓜ (class II tool)	



GV-302EZ